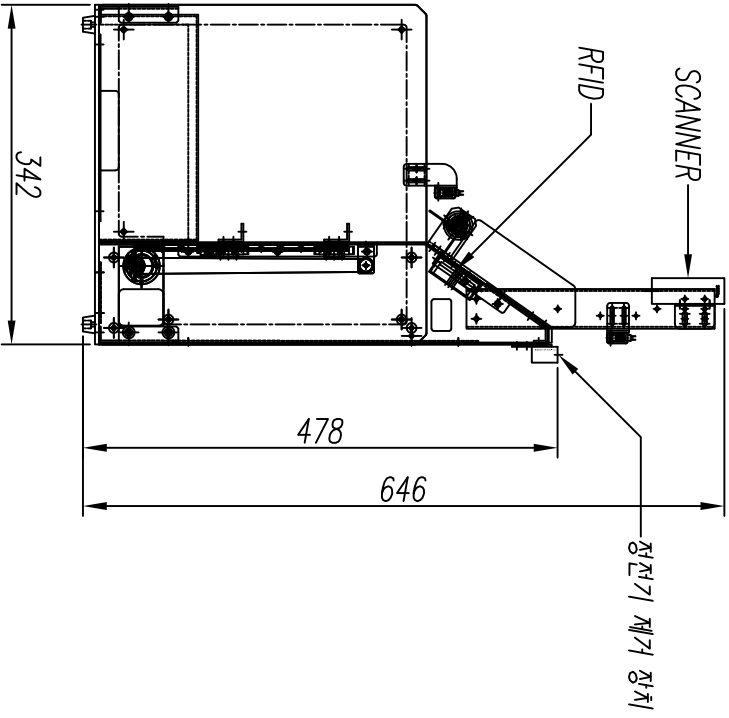
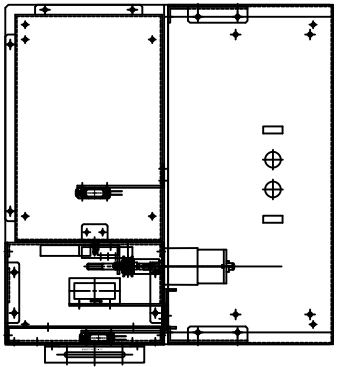
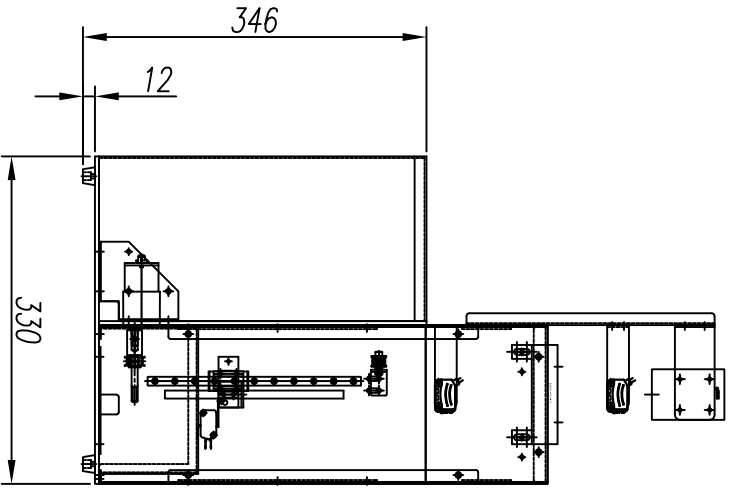


00



DWG NAME	RFID	UNIT NO.	REMARKS	DATE	MAT'L
BNCIT, Co., Ltd.					

CODE No.